



**SFUSD** SAN FRANCISCO  
PUBLIC SCHOOLS

**1350 7th Avenue**

**Miscellaneous  
Carpentry Project**

**Summer 2013**

**Project Specifications**

## Roof Hatch Accessories

Furnish and install a roof OSHA Compliant Rail System to install at opening above to mimic the system shown below and as per the attached quote.

SECTION 07720

ROOF ACCESSORIES



OSHA Compliant Rail System to install at opening above to mimic the system shown below.



# THE BULL

TOOLS & EQUIPMENT • ENGINEERED PRODUCTS

www.chbullco.com

## QUOTATION

TO: 46409  
AECOM  
300 CALIFORNIA ST  
SAN FRANCISCO, CA 94111

PAGE: 1

DATE: 03/15/13 NO. 52697  
TO DATE: 04/15/13  
JOB:  
TERMS: TO BE DETERMINED  
FOB: FACTORY  
PREP BY: JIM OBSITNIK

John 415-241-6152 x1533 john.dutch@aecom.com  
John - delivery ~3 weeks ARO.  
Thank you for the opportunity.  
Jim 650-837-8407 F 650-837-8452 jim@chbullco.com

WE ARE PLEASED TO QUOTE YOU ON THE FOLLOWING MATERIAL

Qty..	Part Number.....	Description.....	Price.....	Extended..
1	500305	BLUEWATER 30" X 36" HATCH KIT INCLUDES - 1 GATE 2 SIDE RAILS 4 BASES 6 PINS RAILS AND BASES ARE HOT DIPPED GALVANIZED	1995.00	1995.00
1	TAX	TAX ON UNIT[S] BEING QUOTED SAN FRANCISCO 8.75%	174.56	174.56
1	510	TRUCK FREIGHT FROM FACTORY TO YOUR LOCATION	390.00	390.00

PLEASE NOTE -  
DELIVERY IS VIA A SEMI TRAILER TO A LOADING DOCK  
LIFT GATE OR JOB SITE DELIVERY IS AVAILABLE  
AT EXTRA COST

THIS PRICE DOES NOT INCLUDE LIFTING THE ITEMS TO A ROOF  
OR INSTALLATION -- PLEASE ASK IF YOU WOULD LIKE  
A QUOTE FOR THOSE SERVICES

-----  
2559.56  
  
QUOTATION TOTAL 2559.56

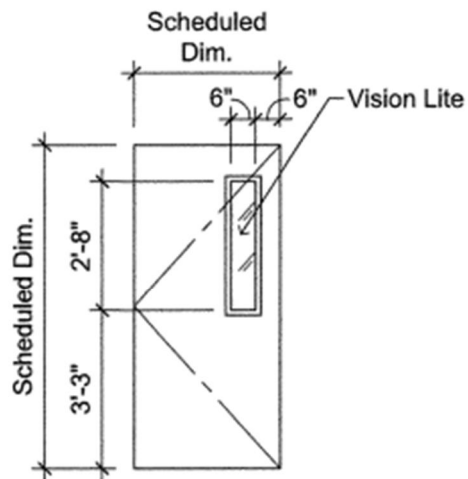
PRICES DO NOT INCLUDE SALES OR USE TAX.

BY \_\_\_\_\_  
JIM OBSITNIK

229 Utah Avenue \* So. San Francisco, CA 94080

## Door Lites and Frames

Scope of work is to prepare existing doors to receive new lites sized as per the sketch below. Furnish and install door lites and stops.



B

Cut new door lite openings - Fourteen (14) Doors which are currently installed in their opening complete with hardware.

Clear Fire Rated, Impact Resistant Glass: Glazing quality, clear fire rated glass, polished both surfaces; nominal thickness 1/4"; UL listed clear fire rated glass; suitable for applications and fire rating.

Glass stops shall be extruded steel stops, drilled and tapped for installation with non-magnetic stainless steel (18-8) Phillips head machine screws. Stops shall be galvanized.

Recertify doors and re-label to maintain the one hour fire rating.

### **Light Switch Security Covers**

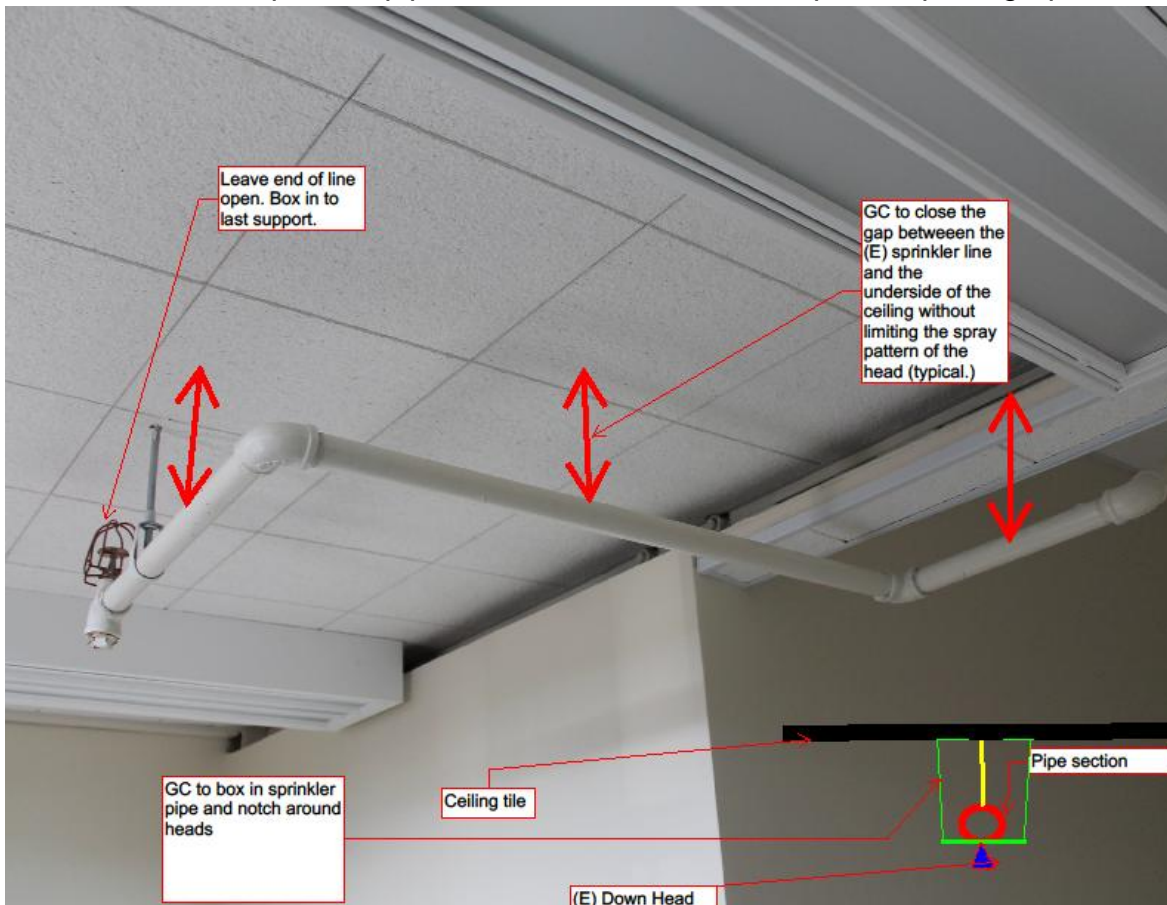
Furnish and install security covers equal to Amertac-Westek White Switch Guard CSG1 (<http://amertac.com/>) on 15 single switches, 1 triple switch, and 2 quadruple switches. Alternate covers of similar style and quality required for triple and quadruple switches.

### **Dome Door Stops**

Furnish and install 15 Ives FS436 / FS438 Floor Dome Stop 1" height on doors distributed over the three floors (assume 5 per floor). Alternate covers of similar style and quality will be considered.

### **Sprinkler Pipe Cover**

Furnish and install sprinkler pipe cover at two locations as per the photograph below:-



Material shall be white and non-combustible. Contractor to assume 50LF of piping cover required fastened every 18" O.C. on each side to the (E) ceiling using galvanized screws.