

## Alamo Elementary School

### Sink addition to Bungalow B and LCD projector mounts

#### Keynote schedule

#### Site Plan:

1. Provide 48" by 24" handicapped accessible sink casework with Plastic Laminate top. Provide soap dispenser and paper towel dispenser mounted to correct ADA accessible heights. Please see casework elevation for additional details.
2. Provide ½ conduits to supply from electrical panel to power to undercounter instant hot water system located under the casework.
3. Provide new circuit breaker for new 240 volt instant hot water system.
4. Provide exterior cold water line stub out for future water connection into the building. Water connection shall be connected via future phase two water extension project.

#### Interior Elevation of the casework:

- A. District Standard Paper towel dispenser Georgia Pacific Softpull model number 59010 mounted to correct ADA accessible height.
- B. District Standard Soap dispenser Bobrick model number B-2111 mounted to correct ADA accessible height.
- C. District Standard classroom sink Elkay DRKAD 2517C or Just Sinks CRA\_ADA\_1725-A-GR (17" x 25") with Chicago 3400-ABCP "Ecast" faucet.
- D. ½ " electrical conduit from panel board to Instant hot water system "Chronomite" Instant-Flow SR-30/208.
- E. "Chronomite" Instant-Flow SR-30/208 installed under counter.
- F. Provide Plastic Laminate countertop and casework. Color of Plastic laminate to be selected from Wilsonart standard color (solids, stone , or wood grain) selection. Selection to be determined. Please following the specifications below:
  - a. Casework shall be Manuel of Millwork Construction, Custom Grade, style A (frameless) with a core material for Laminates # 45 density Particleboard.
  - b. 3 millimeter solid non-PVC edging
  - c. 6" backsplash on two sides

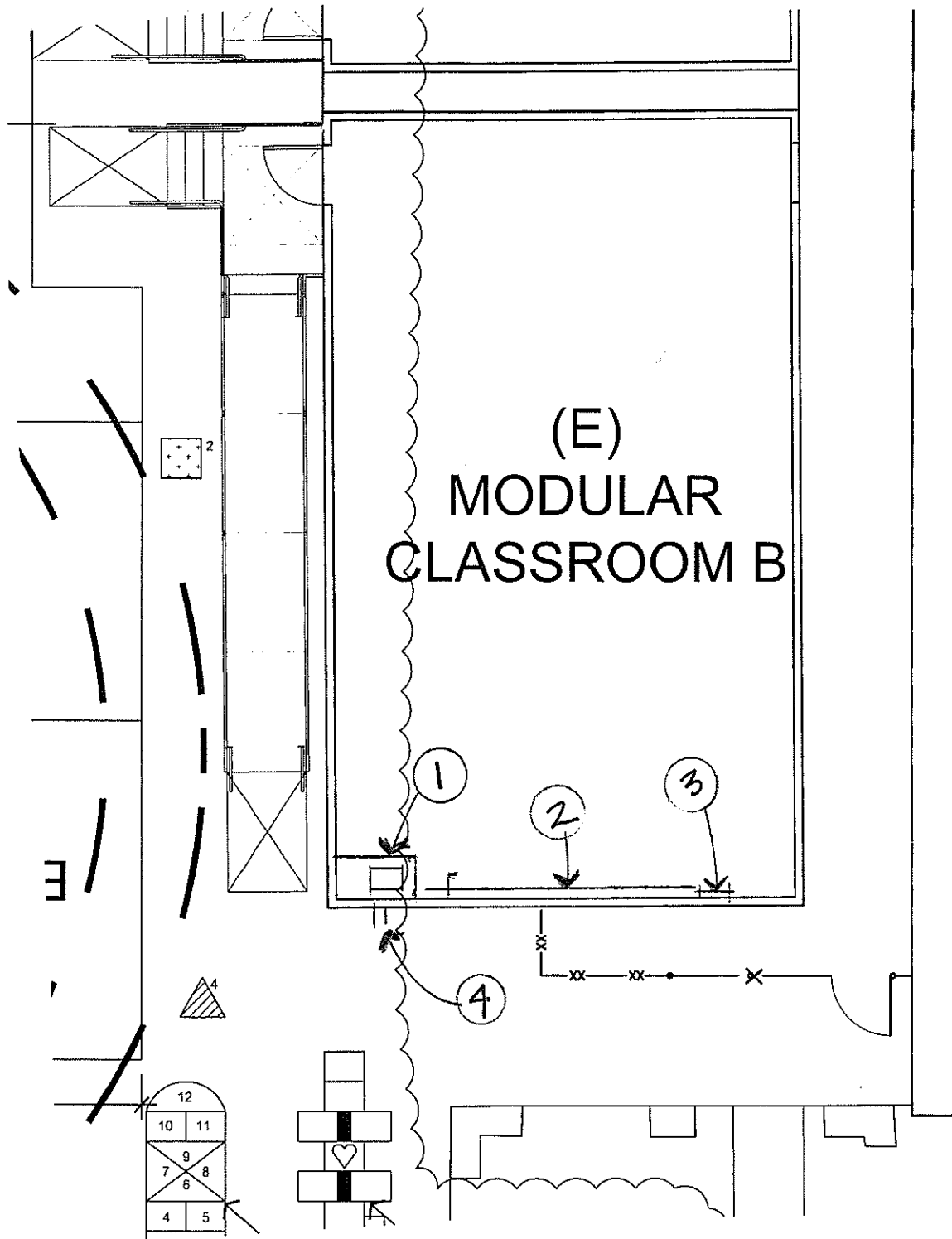
Alamo Elementary School

Sink addition to Bungalow B and LCD projector mounts

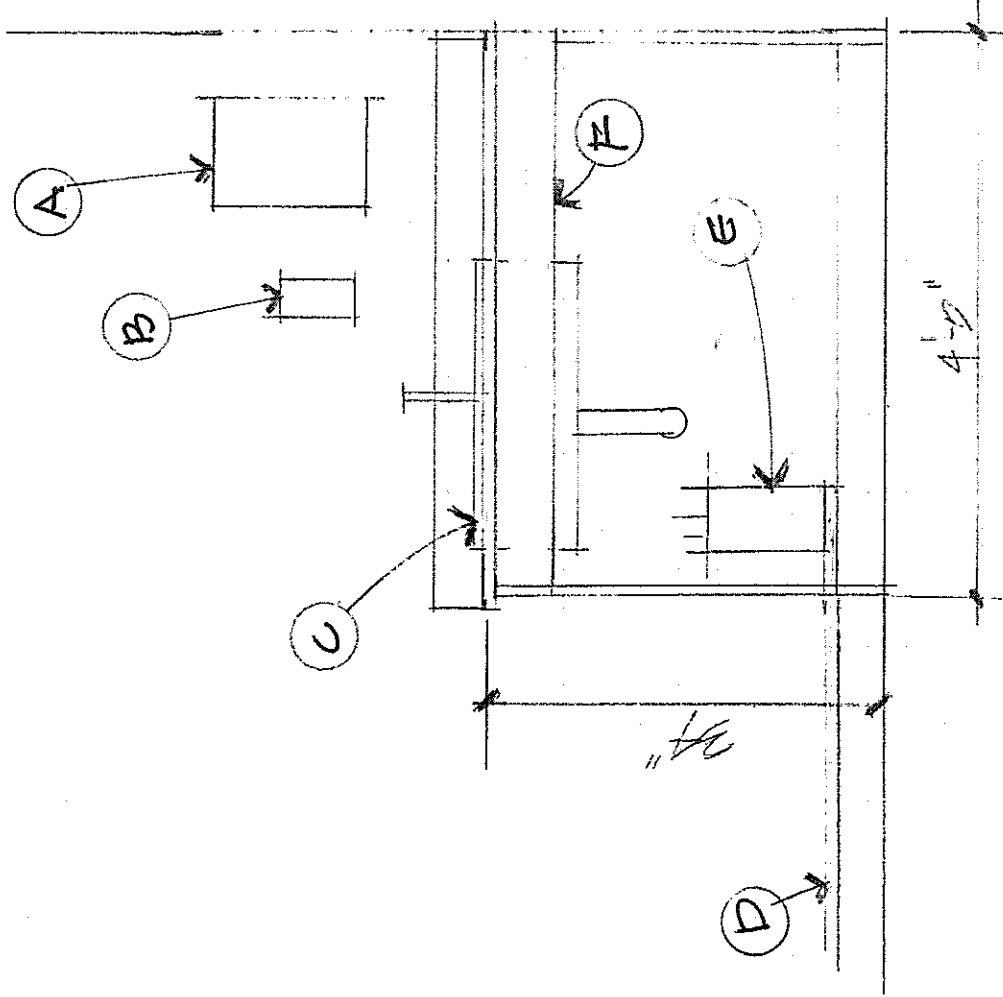
Keynote schedule

LCD Projector mounts : the projector mounts are for five classrooms to be determined

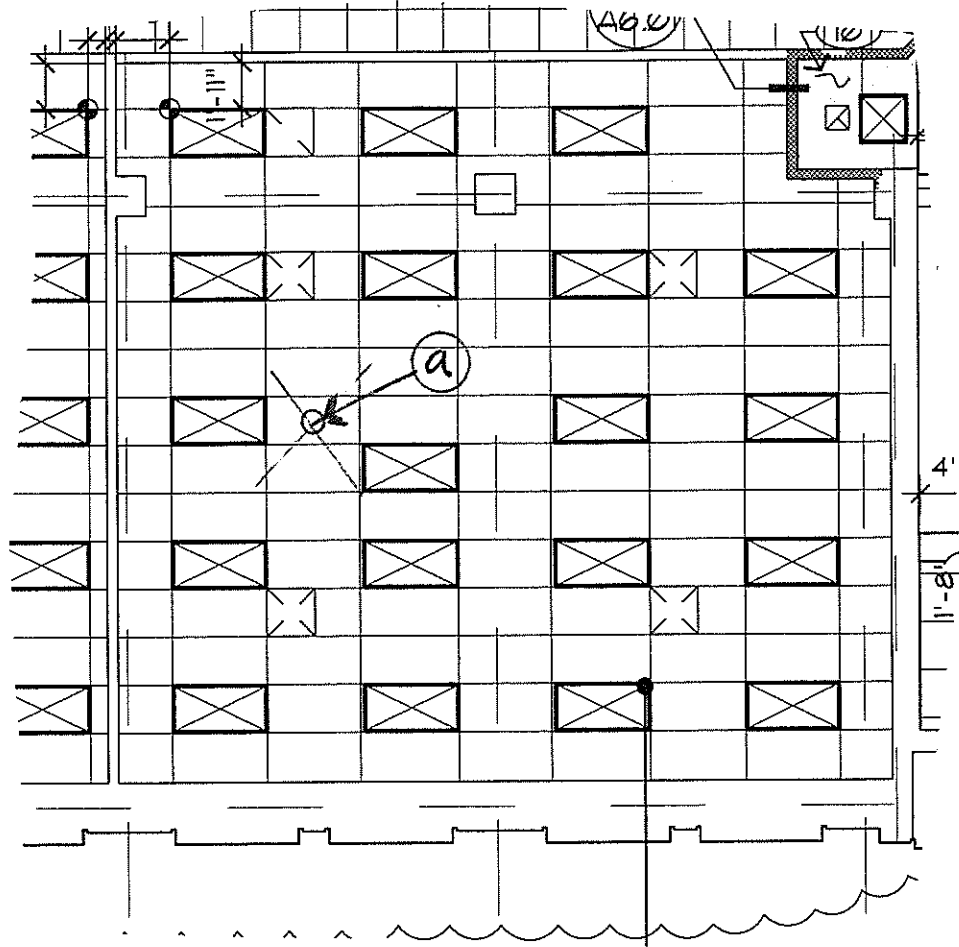
- a) Typical classroom projector mount location for five (5) classrooms. The projector mounts addition are for classroom 214, 215, 212, 218, 206. The exact location in the classroom shall be determined on site with the teacher.
- b) 1 inch plywood mounting board for projector mounts.
- c) Provide 4 sets of ceiling tie wire at each corner of the plywood mounting board and mount to structure above.
- d) Provide outlet and power source for projector unit
- e) 2x4 acoustical tile glued to plywood mounting board
- f) 1 ½" galv. pipe with escutcheon plate attached to plywood mounting board. Paint black.
- g) Peerless mounting assembly for LCD projectors to be supplied by the school.
- h) LCD projector to be supplied by the school
- i) Provide AV cable connection from projector to wall mounted AV connection box. You can assume a 50 foot connection.
- j) Surface Wiremold to hide AV connection.



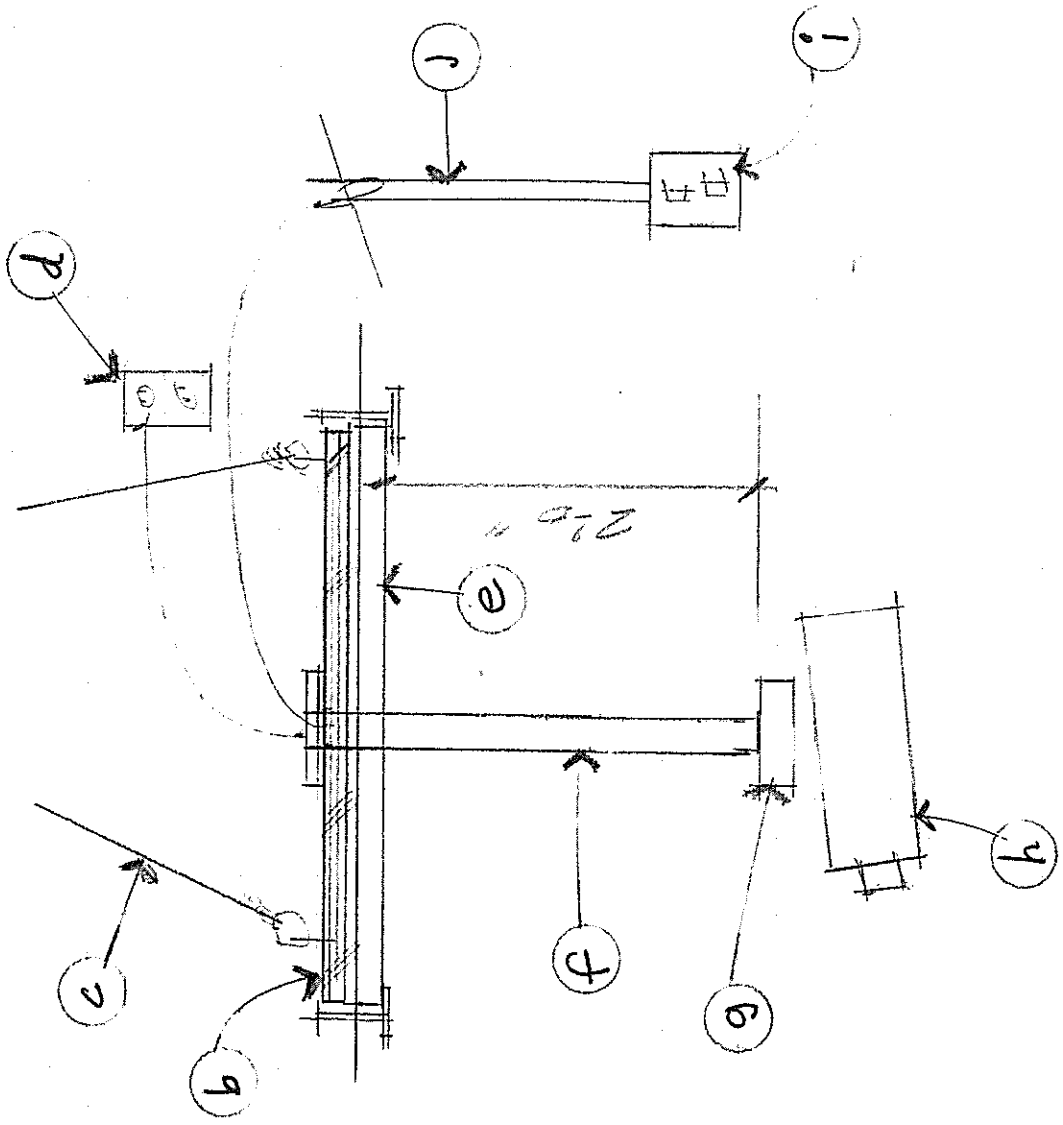
SITE PLAN  
 $\frac{1}{8}'' = 1' - 0''$



BUNGALOW SINK ELEVATION  
3/4" = 1'-0"



TYP. CLASSROOM REP  
 $\frac{1}{8}'' = 1'-0''$



CLASSROOM PROJECTOR MOUNT DETAIL



# INSTANT-FLOW<sup>®</sup> SR - STANDARD FLOW

**APPLICATION:** commercial, industrial, residential, lavatory, shower, kitchen/bar sink, service sink, scrub sink

## PRODUCT FEATURES

- Unlimited hot water
- Saves water and energy - 99% energy efficient
- Vandal resistant rugged cast aluminum housing
- Space saving compact size:  
6-1/4" (H) x 9-5/8" x 2-3/4"
- Meets applicable building codes including ADA, UL, IAPMO, UPC.
- Environmentally friendly
- Made in the U.S.A.

Chronomite Instant-Flow<sup>®</sup> SR- Standard Flow models are manufactured to provide reliable point-of-use hot water at 1.0 gallon per minute with a minimum pressure of 25 PSI. There is no pressure and temperature relief valve needed (unless required by code), saving time and money on installation.

**Housing** is fabricated from rugged cast aluminum alloy.

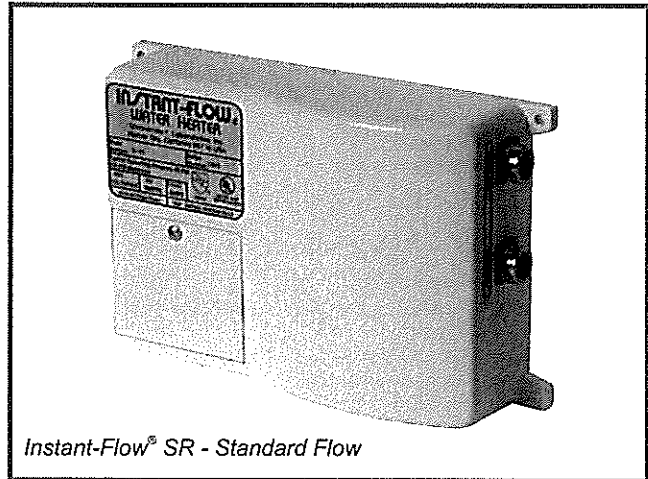
**Element assembly** is fabricated from Celcon plastic.

**Coils** are nichrome.

**Faucet flow controls and compression fittings** are supplied with each unit.

| MODEL     | BREAKER SIZE (AMPS) | VOLTAGE | WATTS | TEMP RISE @ 1.0 GPM |
|-----------|---------------------|---------|-------|---------------------|
| SR-30/208 | 30                  | 208     | 6,240 | 42°F                |
| SR-30/240 | 30                  | 240     | 7,200 | 49°F                |
| SR-30/277 | 30                  | 277     | 8,310 | 57°F                |
| SR-40/208 | 40                  | 208     | 8,320 | 57°F                |
| SR-40/240 | 40                  | 240     | 9,600 | 65°F                |

For the model being selected, please place the corresponding amps, volts and temperature rise values in the Guide Specifications to the right.



Instant-Flow<sup>®</sup> SR - Standard Flow

## GUIDE SPECIFICATION

Tankless Water Heater shall be a Chronomite Laboratories Model

SR -  /

AMPS                      VOLTS                      OPTIONS

with  Amps and  Volts

to heat 1.0 gpm at a temperature rise of

°F.

Unit shall be provided with Celcon waterways, and Nichrome heating coils  
Hot water storage vessels are expressly prohibited.

### OPTIONAL HOUSING FINISH

- PA 765 ABS (P)
- Satin Finish Stainless Steel (SS)
- High Polish Finish Stainless Steel (SSP)

eg. Model SR-30/240 with 30 Amps, 240 Volts, and 49°F Temperature Rise



Member of  
U.S. Green  
Building Council



Water  
Conserving  
Product



Made in  
the USA

Complies  
with  
Standards  
for:



AB1953

### CHRONOMITE LABORATORIES, INC.

17451 Hurley St. :: City of Industry, CA 91744  
Phone 800-447-4962 :: 626-937-4270  
Fax 626-937-4279 :: www.chronomite.com

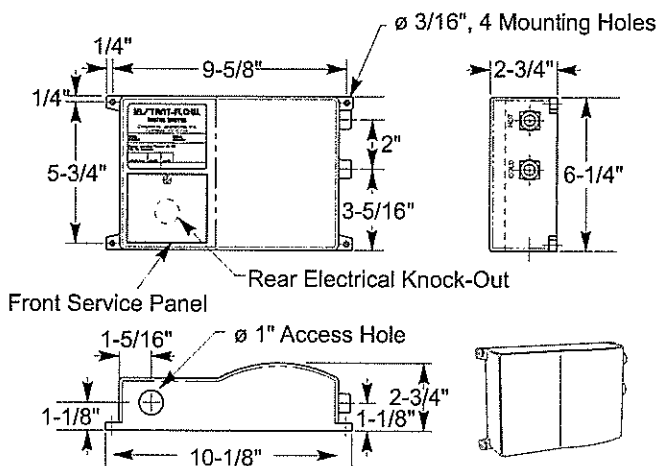


# INSTANT-FLOW<sup>®</sup> SR - STANDARD FLOW

## TECHNICAL DIMENSIONS

### INSTANT-FLOW<sup>®</sup> SR - STANDARD FLOW

|                                       |  |
|---------------------------------------|--|
| Dimensions:                           | 6-1/4" (H) x 9-5/8" x 2-3/4"   |
| Weight:                               | 5 lbs.   |
| Materials:                            | Rugged cast aluminum housing<br>Celcon plastic element assembly<br>with nichrome coils |
| Housing Color:                        | White  |
| Minimum Operating Flow Rate:          | 0.65 GPM   |
| SR40/240 Minimum Operating Flow Rate: | 1.0 GPM  |
| Minimum Operating Pressure:           | 25 PSI   |
| Maximum Operating Pressure:           | 150 PSI  |
| Maximum Operating Temperature:        | 140°F  |
| Listing:                              | UL, IAPMO, UPC, ADA  |

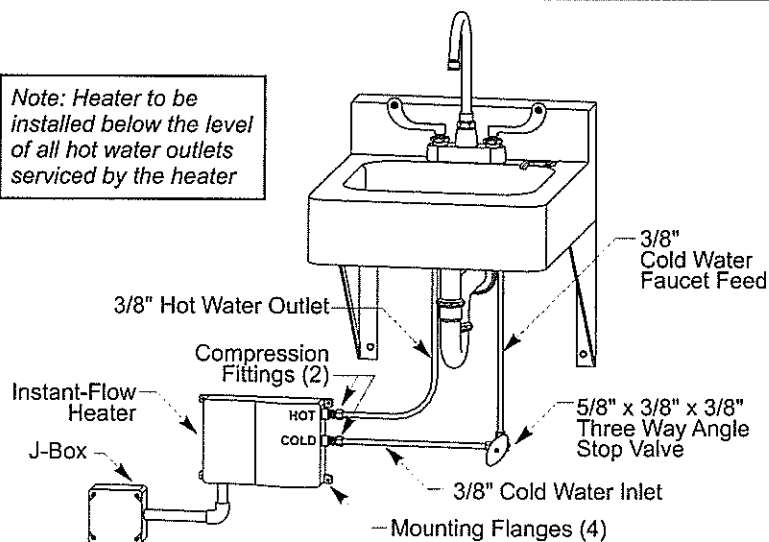


### GENERAL NOTES:

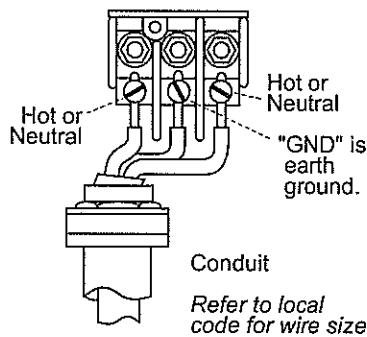
- 240V models when operated at 220V will have approximately a 16% temperature decrease.
- 120V models when operated 110V will have approximately a 16% temperature decrease.
- Per UL/IAPMO unit may not exceed maximum operating temperature of 140°F

## INSTALLATION DIAGRAM

Note: Heater to be installed below the level of all hot water outlets serviced by the heater



## WIRING CONNECTION



**ATTENTION:**  
Unit must be hard wired.  
NOTE: Heaters are single phase.  
All tests are measured at the output of the heater.

Chronomite Laboratories assumes no responsibility for use of void or suspended data. © Copyright 2009 Chronomite Laboratories, Inc. City of Industry, CA Chronomite is a Division of Acorn Engineering Company. Please visit [www.chronomite.com](http://www.chronomite.com) for most current specifications.

|  |   |
|--|---|
| SELECTION SUMMARY & APPROVAL FOR MANUFACTURING | Company _____   |
|  | Model Number & Options _____ Quantity _____             |
|  | Contact _____ Title _____                               |
|  | Signature (Approval for Manufacturing) _____ Date _____ |

**CHRONOMITE**  
LABORATORIES, INC.

PH. 800-447-4962  
626-937-4270  
FAX 626-937-4279  
[www.chronomite.com](http://www.chronomite.com)



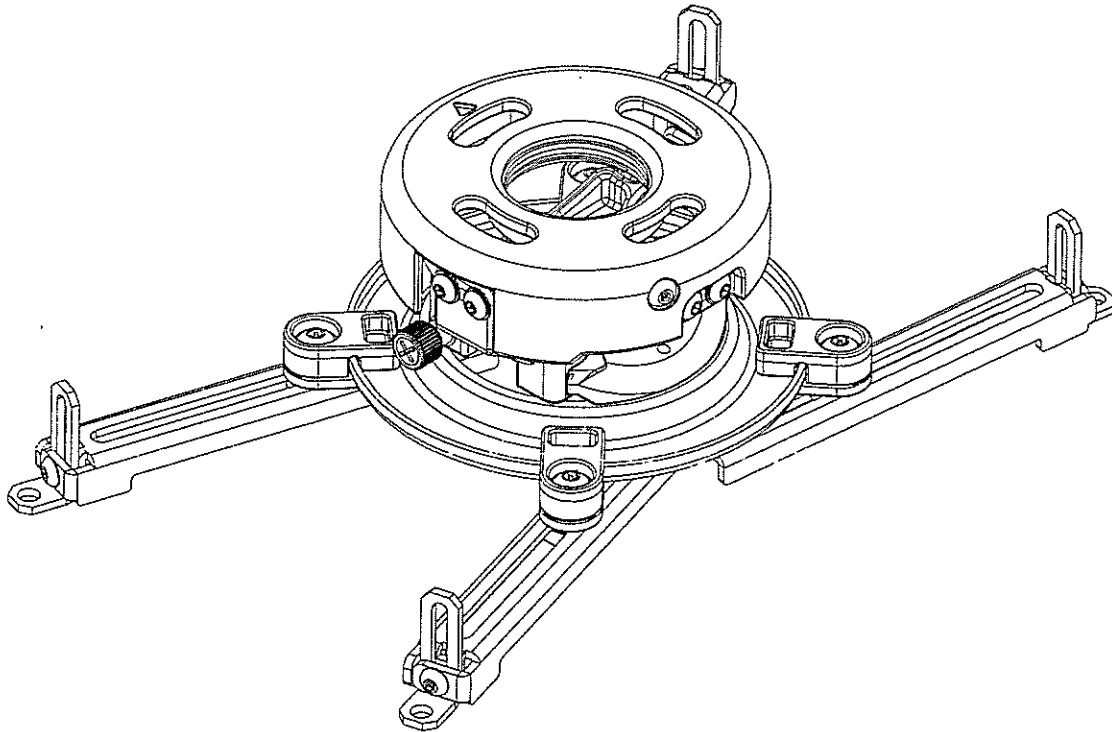
# peerless-AV™

## Installation and Assembly:

### PRS Projector Mount with Universal Adapter Plate

Models: PRS-UNV, PRS-UNV-S, PRS-UNV-W

---



 US LISTED

Max UL Load Capacity:  
25 lb (11.3 kg)

# Installation to Extension Column / Ceiling Plate

**1** NOTE: Refer to accompanying instructions with ceiling plates (sold separately) for installing these models to ceiling.

Screw projector mount assembly (A) onto extension column as shown in figure 1.1.

Tighten swivel stop screw against extension column, flush mount tube or reducer using 4 mm security t-wre as shown in figure 1.2.

NOTE: Swivel stop screw is used to jam against threads of extension column, flush mount tube or reducer to prevent any excess movement of projector mount assembly (A). Do not overtighten screw; overtightening sc will damage threads making it difficult to separate products.

Skip to step 5.

