



Facilities – Prop A Bond Programs
San Francisco Unified School District
135 Van Ness Avenue, San Francisco, CA 94102

DESCRIPTION OF WORK FOR
INFORMAL BID PROPOSAL

DATE: January 3, 2018

RE: Installation of a kitchen sink for the following location(s):
McKinley ES, 1025 14th Street, San Francisco, CA 94114

SCOPE OF WORK:

Remove and dispose an existing kitchen sink and related items; installation of a 3 compartment stainless steel kitchen sink with double drainboard and all related items; remove and re-install existing kitchen faucets for a complete installation. The sink shall be manufactured by Advance Tabco, Specline, model no. FS-32424-18RL. The size of the compartment is 24" X 24" and the drainboard is 18" X 24" with an overall length 108". See attached product sheet for additional information.

Contractors License Classification: In accordance with the provisions of California Public Contract Code § 3300, the District requires that Bidders possess the following classification(s) of California Contractors License at the time that the Bid Proposals are opened: **Class B, General Building Contractor**. Any Bidder not so duly and properly licensed shall be subject to all penalties imposed by law.

ADDITIONAL NOTES:

- (1) All equipment and clean-up required by contractor.
- (2) A work plan and schedule must be presented after selection. Dates and times for work must be coordinated and approved with SFUSD Project Manager/Construction Manager.
- (3) Prevailing wages are required on all SFUSD projects and are required at the request of the SFUSD.

PRE-PROPOSAL MEETING DATE:

Friday, January 5, 2018 @ 1:30 pm. in front of main entrance of McKinley ES, 1025 14th Street, San Francisco, CA 94114

DATE PROPOSAL DUE:

Wednesday, January 10, 2018 @ 2:00 pm. Proposals can be received via hand, email, or fax.

SCHEDULE OF WORK:

If the proposal is accepted and approved by the District, the contractor is expected to start the work on Monday, January 15, 2018 and complete the work on Monday, January 15, 2018 or perform the work on weekend with no cost to the District.

CONTACT:

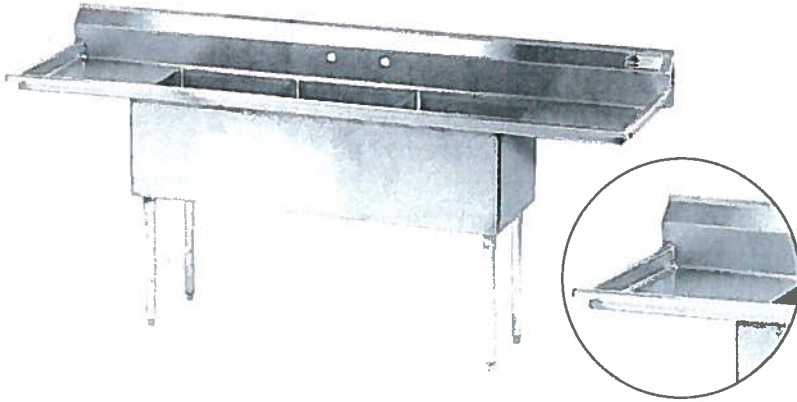
William Chow, SFUSD Senior Project Manager, e-mail: choww@sfusd.edu, P (415) 241-6152 ext. 1555, F (415) 241-6148
Facilities - Proposition A – Bond Programs
135 Van Ness Avenue, Room 207A, San Francisco, CA 94102



STAINLESS STEEL

SPECLINE 14 Ga. Fabricated Sinks NSF

Triple Compartments



Item #: _____ Qty #: _____
 Model #: _____
 Project #: _____

FEATURES:

- Full Skirt Design
- Backsplash has tile edge for ease of installation.
- Sink bowls are 3/4" covered corner and meet NSF requirements.
- Rolled Rim Edge for additional strength.
- Sink Bowls are 14" deep for greater capacity.
- Stainless Steel Legs and Cross Bracing.

CONSTRUCTION:

- All TIG welded.
- Welded areas blended to match adjacent surfaces and to a satin finish.

MATERIAL:

- 1 5/8" diameter stainless steel legs with 1" adjustable stainless steel bullet feet.
- Entire unit is 14 gauge 304 stainless steel.
- Stainless Steel Gussets.

MECHANICAL:

- Supply is 1/2" IPS hot & cold.
- Faucet holes on 8" centers.
- Faucets are not included (**see accessories**).
- Waste drains are 1 1/2" IPS S/S basket type, located in center of sink bowl, and are included.

MODEL #	BOWL SIZE	O.A. Length	# of Drbds.
FS-3-1620	16" x 20"	53"	0
FS-3-1620-18R or L	16" x 20"	68.5"	1
FS-3-1620-18RL	16" x 20"	84"	2
FS-3-1620-24RL	16" x 20"	96"	2
FS-3-1620-36RL	16" x 20"	120"	2
FS-3-1524	15" x 24"	50"	0
FS-3-1524-24R or L	15" x 24"	71.5"	1
FS-3-1524-24RL	15" x 24"	93"	2
FS-3-1818	18" x 18"	59"	0
FS-3-1818-18R or L	18" x 18"	74.5"	1
FS-3-1818-18RL	18" x 18"	90"	2
FS-3-1824	18" x 24"	59"	0
FS-3-1824-18R or L	18" x 24"	74.5"	1
FS-3-1824-24R or L	18" x 24"	80.5"	1
FS-3-1824-18RL	18" x 24"	90"	2
FS-3-1824-24RL	18" x 24"	102"	2
FS-3-2024	20" x 24"	65"	0
FS-3-2024-24R or L	20" x 24"	86.5"	1
FS-3-2024-24RL	20" x 24"	108"	2
† FS-3-2424	24" x 24"	77"	0
† FS-3-2424-18R or L	24" x 24"	92.5"	1
† FS-3-2424-24R or L	24" x 24"	98.5"	1
† FS-3-2424-18RL	24" x 24"	108"	2
† FS-3-2424-24RL	24" x 24"	120"	2

† Requires Two Faucets

ACCESSORIES	Model #	Qty
DRAINS		
FAUCETS		



Customer Service Available To Assist You 1-800-645-3166 8:30 am - 8:00 pm E.S.T.

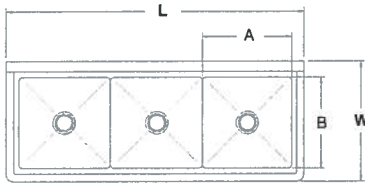
For Orders & Customer Service:
 Email: customer@advancetabco.com or Fax: 631-242-6900

For Smart Fabrication™ Quotes:
 Email: smartfab@advancetabco.com or Fax: 631-586-2933

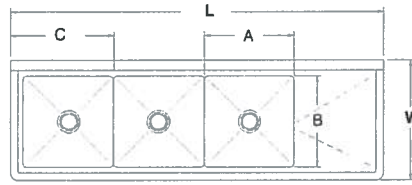
DIMENSIONS and SPECIFICATIONS

TOL Overall: ± .500"
Interior: ± .250"

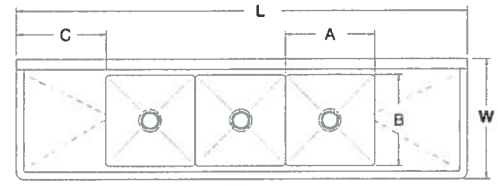
ALL DIMENSIONS ARE TYPICAL



3 COMP - NO DRBDS



3 COMP - 1 DRBD

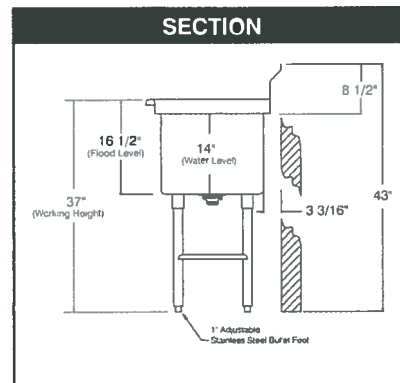
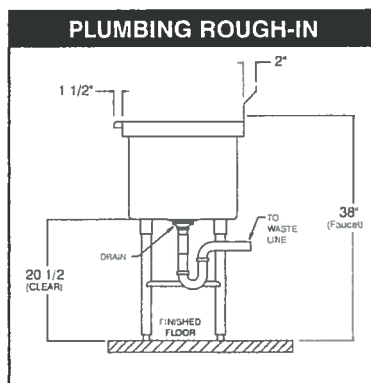


3 COMP - 2 DRBDS

NSF

MODEL #	Length L	Width W	Bowl Size A & B	Drbd. Length C	# of Drbds.	Drbd. Location	Wt	Cu.
FS-3-1620	53"	26"	16" x 20"	0	0	None	140 lbs	27
FS-3-1620-18R or L	68.5"	26"	16" x 20"	18"	1	Specify	160 lbs	35
FS-3-1620-18RL	84"	26"	16" x 20"	18"	2	Both	155 lbs	36
FS-3-1620-24RL	96"	26"	16" x 20"	24"	2	Both	235 lbs	47
FS-3-1824-36RL	120"	26"	16" x 20"	36"	2	Both	280 lbs	59
FS-3-1524	50"	30"	15" x 24"	0	0	None	116 lbs	31
FS-3-1524-24R or L	71.5"	30"	15" x 24"	24"	1	specify	139 lbs	44
FS-3-1524-24RL	93"	30"	15" x 24"	24"	2	Both	163 lbs	56
FS-3-1818	59"	24"	18" x 18"	0	0	None	130 lbs	25
FS-3-1818-18R or L	74.5"	24"	18" x 18"	18"	1	Specify	150 lbs	31
FS-3-1818-18RL	90"	24"	18" x 18"	18"	2	Both	170 lbs	52
FS-3-1824	59"	30"	18" x 24"	0	0	None	158 lbs	36
FS-3-1824-18R or L	74.5"	30"	18" x 24"	18"	1	Specify	174 lbs	46
FS-3-1824-24R or L	80.5"	30"	18" x 24"	24"	1	Specify	187 lbs	49
FS-3-1824-18RL	90"	30"	18" x 24"	18"	2	Both	310 lbs	54
FS-3-1824-24RL	102"	30"	18" x 24"	24"	2	Both	375 lbs	61
FS-3-2024	65"	30"	20" x 24"	0	0	None	165 lbs	40
FS-3-2024-24R or L	86.5"	30"	20" x 24"	24"	1	Specify	182 lbs	52
FS-3-2024-24RL	108"	30"	20" x 24"	24"	2	Both	198 lbs	64
† FS-3-2424	77"	30"	24" x 24"	0	0	None	329 lbs	47
† FS-3-2424-18R or L	92.5"	30"	24" x 24"	18"	1	Specify	353 lbs	56
† FS-3-2424-24R or L	98.5"	30"	24" x 24"	24"	1	Specify	369 lbs	59
† FS-3-2424-18RL	108"	30"	24" x 24"	18"	2	Both	382 lbs	64
† FS-3-2424-24RL	120"	30"	24" x 24"	24"	2	Both	405 lbs	71

† Requires Two Faucets



ADVANCE TABCO is constantly engaged in a program of improving our products. Therefore, we reserve the right to change specifications without prior notice.